

CARPORT STYLE: FLAT TOP

DESIGN CRITERIA:

Wind Load: 90 MPH minimum

Ground Snow Load: 30 psf minimum

All Federal, State and Local codes reviewed.

COLUMNS: HSS ASTM A-500 Grade B A-500

Coating Options: Primed or Hot Dip Galvanized

BEAMS: 10" deep A-992 Grade 50 Steel.

Coating Options: Primed or Hot Dip Galvanized

PURLINS: 16 GA. Cold Rolled G-90 Galvanized Steel

ROOFING: 29 GA Roll formed, Exposed Fasteners, Galvanized Steel Panel with Siliconized Polyester or Kynar 500 Factory Applied Finish in a variety of colors with white underside.

OPTIONS:

Roof Slope

Hot Dip Galvanizing

Site Specific Layout and Configuration

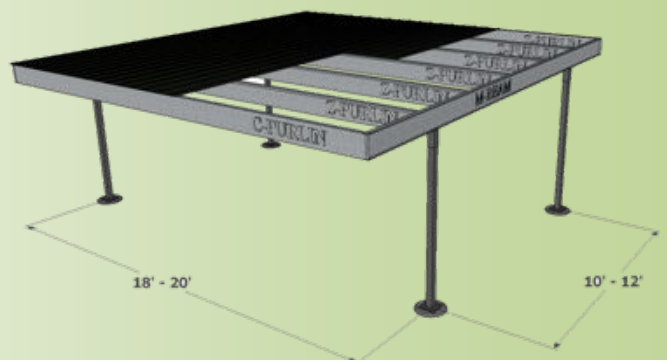
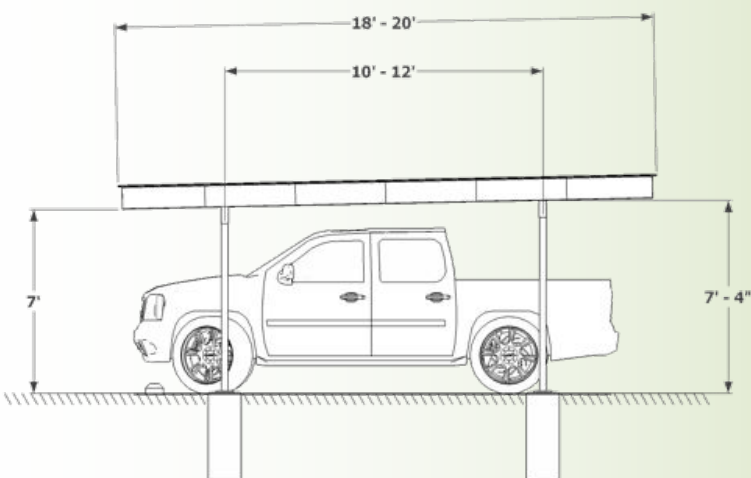
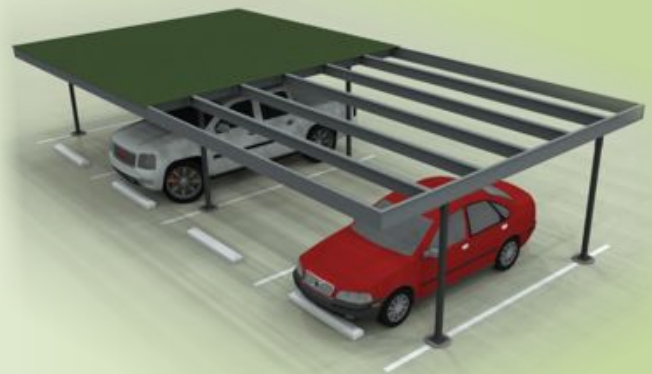
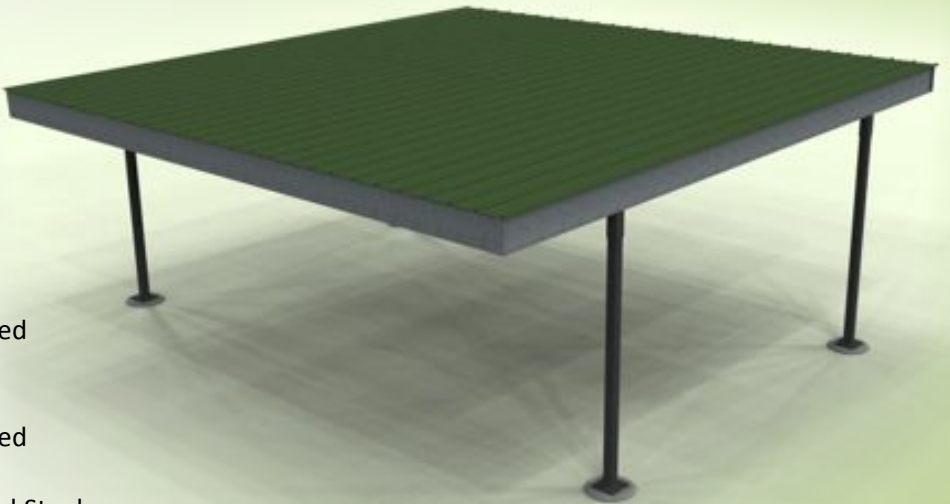
Standing Seam Roof Sheeting

Soffit Under Sheeting

Metal End Panels

End Overhangs 1'

Solar Racking



1825 Metamora Road
Oxford, Michigan 48371
Phone: 248-628-5571 / FAX: 248-628-5260
Email: info@carportstructures.com
WEB: www.carportstructures.com